

## 8 / 16-Port PS/2-USB VGA Dual Rail LCD KVM Switch

CL5808 / CL5816

The CL5808 / CL5816 Slideaway™ Dual Rail LCD KVM Switch are control units that allow access to multiple computers from two PS/2 or USB KVM consoles. An extra console port is provided on the rear panel to manage the LCD KVM switch from an optional external consoles.

The CL5808 / CL5816's 19" LED-backlit LCD monitor and keyboard / touch pad modules slide independently of each other. To maximize space in your data center, the keyboard / touch pad module slides back to "hide away" when not in use, while the thin profile LCD monitor rotates back – flush against the rack – allowing convenient monitoring of computer activity. Quickly and conveniently switch computer access with station and port selection pushbutton switches located on the keyboard module. Even when the keyboard module is in the retracted position you can still switch access with the Port Up / Port Down pushbuttons located on the monitor module.

The CL5808 / CL5816 supports both PS/2 and USB keyboards and mice for the connected computers, and the CL5808 / CL5816 supports USB peripheral devices to be used with the attached computers. A single CL5808 / CL5816 can control up to 8 (CL5808) or 16 (CL5816) computers. As many as 31 additional compatible KVM switches can be daisy chained together, so that up to 256 (CL5808) or 512 (CL5816) computers can all be controlled from a single keyboard, monitor, and mouse console.

CL5816 Front View



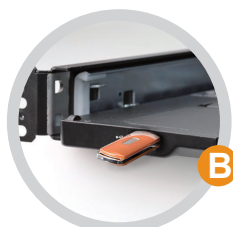
CL5816 Rear View



## Features

- Exclusive LED illumination light - designed by ATEN to illuminate the keyboard and touchpad to allow visibility in lowlight conditions
- Integrated KVM console with 19" LED-backlit LCD monitor in a Dual Rail housing
- Space saving technology – up to two consoles (one bus) control up to 8 or 16 computers
- Daisy-chain up to 31 additional units\*– control up to 256 (CL5808) or 512 (CL5816) computers from two consoles (one bus)
- Dual Interface – supports computers and console with PS/2 or USB keyboards and mice
- Additional hot-pluggable USB mouse port on front panel (also functions as a USB peripheral port)
- LCD module rotates up to 120 degrees for a more comfortable viewing angle
- Console Lock – enables the console drawer to remain securely locked away in position when not in use
- Multiplatform support – Windows, Linux, Mac, and Sun
- Supports multi-media USB keyboards for PC, Mac and Sun
- Auto PS/2 and USB interface detection
- Keyboard and mouse emulation (PS/2 and USB) for smooth switching and simultaneous booting of multiple computers even when the console focus is elsewhere
- Extra console port – manage computers in the LCD KVM switch from an external console (monitor, USB keyboard, and USB mouse)
- Superior video quality – supports resolutions up to 1280 x 1024 @ 75 Hz
- No software required – convenient computer selection via front panel pushbuttons, hotkeys, and multi-lingual onscreen display (OSD) menus
- Auto-senses station's position on daisy chained installations; no need for manual dip switch setting; front panel led indicates station's position
- Port names automatically reconfigured when station sequence is changed
- Two level password security – only authorized users can view and control computers
- LCD power button helps save energy and prolong display's life
- Supports one administrator and four user accounts with separate profiles
- Auto Scan mode enables continuous monitoring of user-selected computers
- Broadcast support – commands from the keyboard can be broadcast to all available computers on the installation
- Hot pluggable – add or remove computers without having to power down the switch
- Beeper on / off via hotkey and OSD
- Optional rack mount kits available including easy installation options
- Keyboard Language support: English (US), English (UK), French, German, German (Swiss), Greek, Hungarian, Italian, Japanese, Korean, Russian, Spanish, Swedish and Traditional Chinese

**Note:** With compatible KVM Switches:ACS1208A,CS1708A,CS1716A



## Highlights

<b>Port Selection</b>	Conveniently located station and port selectors with LED displays to quickly switch to target computers.	<b>A</b>
<b>USB Port</b>	An additional USB port located on the front panel is available to connect peripheral devices (flash drive, CD-ROM drive, etc.) to the switch. USB peripherals can be used to install software, OS patches, or make system backups to computers connected to the installation from the CL5808 / CL5816.	<b>B</b>
<b>Extra USB mouse port</b>	For added convenience, a USB mouse port is provided for users who prefer to use an external mouse.	<b>C</b>
<b>Flexibility</b>	The LCD module rotates up to 120 degrees for a more comfortable viewing angle.	
<b>Multilanguage support</b>	The CL5808 / CL5816 supports the following OSD languages: English, German, Japanese, Traditional Chinese and Simplified Chinese.	
<b>Broadcast mode</b>	When this function is in effect, commands sent from the console are broadcast to all available computers on the installation. This function is particularly useful for operations that need to be performed on multiple computers, such as performing a system wide shutdown, installing or upgrading software, etc.	

## Optional

### Single Person Easy Installation Kit

Slideaway™ LCD KVM switches allow you to choose from a host of optional rack mount kits to meet your needs, including the Single Person Easy Installation Rack Mount Kit, which streamlines the rack mounting process.

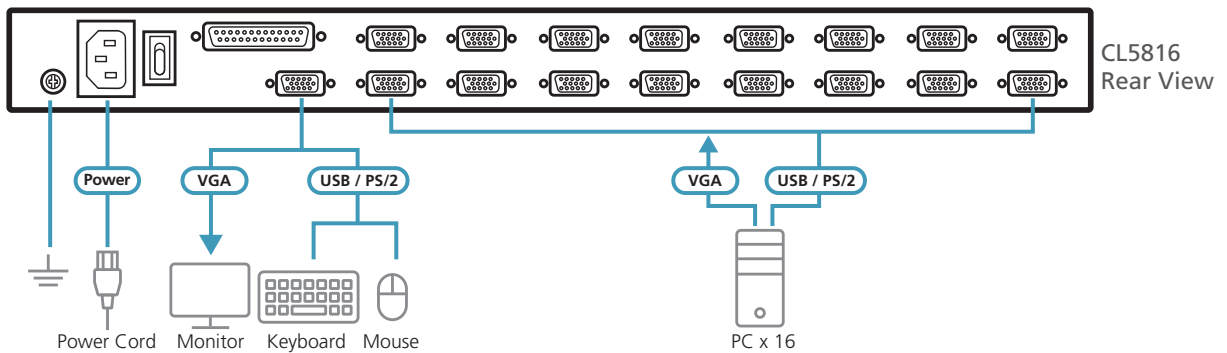
Normal rack mounting procedures call for at least two people to rack mount a KVM switch. The Single Person Easy Installation Rack Mount Kit enables one person to rack mount a Slideaway™ LCD KVM switch. In just a matter of minutes, your new Slideaway™ LCD KVM switch can go from the box to the rack.

For convenience and flexibility, there is one standard, and three optional rack mounting kits available:



Rack Mount Kit	Depth (cm)
2X-010G (Long / Optional)	70-105
Short (Standard)	52-85

Easy Installation Rack Mount Kit	Depth (cm)
2K-0006 (Long / Optional)	68-105
2K-0005 (Short / Optional)	57-70



## Specifications

	CL5808N	CL5816N
<b>Computer Connections</b>		
Direct	8	16
Maximum	256 (via Daisy-chain)	512 (via Daisy-chain)
<b>Port Selection</b>	OSD, Hotkey, Pushbutton	
<b>Connectors</b>		
KVM Ports	8 x SPHD Female (Yellow)	16 x SPHD Female (Yellow)
Daisy Chain Ports	1 x DB-25 Male	
Firmware Upgrade	1 x RJ-11 Female	
Power	1 x IEC 60320/C14	
External Console Ports	1 x SPHD Male (Yellow)	
External Mouse Port	1 x USB Type-A Female (Front)	
USB Port	1 x USB Type-A Female (Front)	
<b>Switches</b>		
Port Selection	2 x Pushbutton (LCD) 8 x Pushbutton (Keyboard)	2 x Pushbutton (LCD) 16 x Pushbutton (Keyboard)
Station Selection	2 x Pushbutton	
Reset	1 x Semi-recessed Pushbutton	
Firmware Upgrade	1 x Slide Switch	
Power	1 x Rocker Switch	
LCD Control	4 x Pushbutton	
LCD Power	1 x LED Pushbutton	
<b>LEDs</b>		
Online	8 (Orange)	16 (Orange)
Selected	8 (Green)	16 (Green)
Station ID	2 x 7-segment LED Display (Orange)	
Power	1 (Dark Green)	
Lock	1 x Num Lock (Green) 1 x Caps Lock (Green) 1 x Scroll Lock (Green)	
LED Illumination Light	1 x LED Illumination Light	
<b>Panel Spec</b>		
LCD Module	19" TFT-LCD	
Resolution	1280 x 1024 @ 75 Hz	
Response time	5 ms	
Viewing Angle	170° (H), 160° (V)	
Pixel Pitch	0.294 mm x 0.294 mm	
Support Color	16.77M colors	
Contrast Ratio	1000:1	
Luminance	250 cd/m <sup>2</sup>	
<b>Video</b>		
Input Video Resolution	up to 1920 x 1200 @ 60 Hz; 1280 x 1024 @ 75 Hz, DDC2B	
<b>Scan Interval</b>	1 – 255 seconds	
<b>Emulation</b>		
Keyboard / Mouse	PS/2, USB	
<b>Maximum Input Power Rating</b>	100 – 240V AC, 50/60Hz, 1A	
<b>Power Consumption</b>	AC110V:25.2W AC220V:27.2W	
<b>Environmental</b>		
Operating Temperature	0 – 50°C	
Storage Temperature	-20 – 60°C	
Humidity	0 – 80% RH, Non-condensing	
<b>Physical Properties</b>		
Housing	Metal + Plastic	
Rail Type	Dual Rail	
Weight	14.48 kg	14.76 kg
Dimensions (L x W x H)	48.00 x 68.04 x 4.40 cm	

Product information is subject to change without prior notice.

### ATEN International Co., Ltd.

3F., No.125, Sec. 2, Datung Rd., Sijhih District., New Taipei City 221, Taiwan  
 Phone: 886-2-8692-6789 Fax: 886-2-8692-6767  
 www.aten.com E-mail: marketing@aten.com

Released: 06/2024 V7.0

© Copyright 2024 ATEN® International Co. Ltd.  
 ATEN and the ATEN logo are registered trademarks of ATEN International Co., Ltd.  
 All rights reserved. All other trademarks are the property of their respective owners.

