

2-Port USB-C DisplayPort Hybrid Cable KVM Switch

CS52DP

The CS52DP 2-Port USB-C DisplayPort Hybrid Cable KVM Switch is a control unit that allows access to a USB-C device and a DisplayPort computer. With the CS52DP, you can quickly and effortlessly switch between two computers by using a convenient remote port selector pushbutton.

The compact CS52DP also brings in vivid 4K viewing quality to lift up work performance. Further advanced features of the CS52DP include the bus-powered mode and no need to install software or configure device. This plug and play switch is ideal for people who need quick control to multitask between a computer and a USB-C device on a desktop in any environment. Moreover, the compact design allows for an efficient and tidy installation, providing an ideal space-saving solution to keep your desk well-organized.

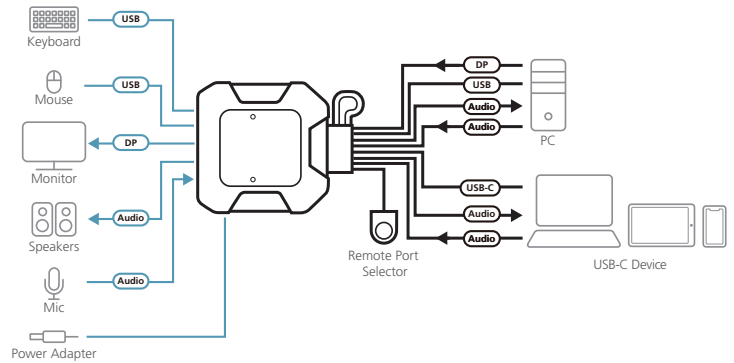


Features

- One KVM console controls one USB DisplayPort computers and one USB-C device
- Superior video quality – up to 4096 x 2160 @ 60 Hz
- Computer selection via remote port selector
- Supports DisplayPort Alternate Mode (DP Alt Mode) which enables the USB connection to carry DisplayPort signals
- DisplayPort 1.2 and HDCP compliant¹
- Bus-powered – no external power adapter required
- The console USB ports can be used for USB peripheral sharing²
- Multiplatform support – Windows, Mac, Linux, Android, and iOS
- No software required
- Hook design for space-saving and organized workstation
- Supports USB hot-plugging

Note:

1. For DisplayPort 1.4 compliant display device, make sure to configure the device setting to be compatible with DisplayPort 1.2 to avoid compatibility issue.
2. The CS52DP may require an external power supply via the USB Micro-B power port. For the USB Micro-B cable connecting to the USB Micro-B power port, it requires a separate purchase based on the type of the power supply you use.



Specifications

| CS52DP | |
|------------------------------|---|
| Computer Connections | 2 |
| Port Selection | Remote Port Selector |
| Connectors | |
| Console Ports | 1 x DisplayPort Female 2 x USB Type-A Female 1 x 3.5 mm Audio Jack Female (Green) 1 x 3.5 mm Audio Jack Female (Pink) |
| KVM (Computer) Ports | CPU1: 1 x DisplayPort Male 1 x USB Type-A Male 1 x 3.5 mm Audio Jack Male (Green) 1 x 3.5 mm Audio Jack Male (Pink) CPU2: 1 x USB-C Male 1 x 3.5 mm Audio Jack Male (Green) 1 x 3.5 mm Audio Jack Male (Pink) |
| Power (Optional) | 1 x USB Micro-B Female |
| LEDs | |
| KVM Port (On Line /Selected) | 2 (White) |
| Cable Length | |
| KVM | 2 x 1.2 m |
| Remote Port Selector | 1.8 m |
| Emulation | |
| Keyboard / Mouse | N/A |
| Video | Up to 4096 x 2160 @ 60Hz, 2560 x 1440 @ 144Hz |
| Power Consumption | DC5V:0.74W |
| Environmental | |
| Operating Temperature | 0 – 50°C |
| Storage Temperature | -20 – 60°C |
| Humidity | 0 – 80% RH, Non-condensing |
| Physical Properties | |
| Housing | Plastic |
| Weight | 0.30 kg |
| Dimensions (L x W x H) | 8.34 x 8.42 x 3.04 cm |

ATEN International Co., Ltd.

3F., No.125, Sec. 2, Datung Rd., Sijhih District., New Taipei City 221, Taiwan
 Phone: 886-2-8692-6789 Fax: 886-2-8692-6767
 www.aten.com E-mail: marketing@aten.com

Product information is subject to change without prior notice.

Released: 07/2024 V5.0

© Copyright 2024 ATEN® International Co. Ltd.
 ATEN and the ATEN logo are registered trademarks of ATEN International Co., Ltd.
 All rights reserved. All other trademarks are the property of their respective owners.

