

PSE-G600

1-port 10/100/1000 Base-T to 1-port 10/100/1000 Base-T, PoE Gigabit PoE++ High Power Over Ethernet Injector, 60W Compatible with IEEE 802.3bt /at / af, with auto-detection



Feature

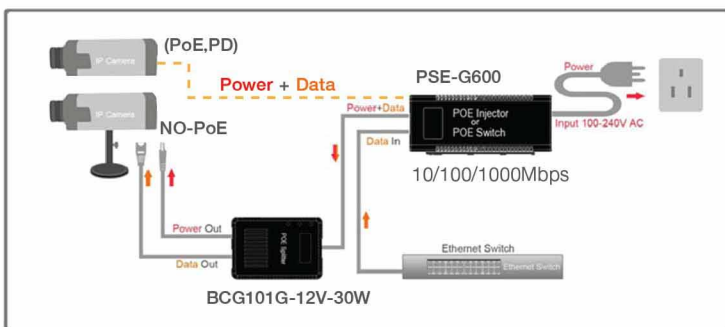
- Compact design with exclusive interlocking installation
- Full Protection OCP, OVP
- Non-Vented Case; Ultra PoE++ Solution
- 10/100/1000M Compatible
- Full IEEE 802.3bt/at/af compliant solution w/ detection solution
- Dimension 147*62*30(mm)(L*W*H)

Main Applications

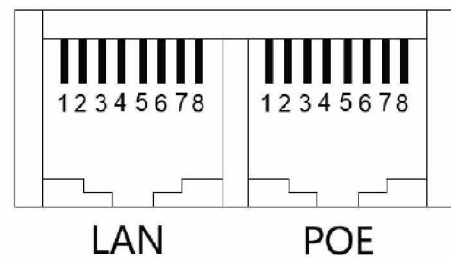
- IP Telephones; IP Security Cameras; IP Print Servers
- Wireless Network Access Points and Bridges
- Blue Tooth Access Points

Specification

Hardware Specification	Descriptions		
POWER CHARACTERISTICS	Output Voltage	48-56VDC	
	Output Rated power	60Watt	
	Max power	90Watt	
	Input Voltage	100~240VAC±10% 47~63Hz	
	Input Inrush Current(Typ)	20A Max (Cold start@25C.at AC input 230V)	
	Input Connetor	IEC320-C14 (inlet 3 pin)	
	Status Indicators (LEDs)	AC power (Green), Output Activity (Green) ; Blink (Load Error)	
	Ports Number	Single port data&power out	
	DATA INTERFACES	Data LAN	10/100/1000Mbps RJ-45 female
		Cable	EIA/TIA-568 100-ohm (100m) ;10T: 4-pair UTP/STP Cat.3, 4, 5,5E; 100TX: 2 and 4-pair UTP/STP Cat.5/5E,Cat6/6A
Data&Power Out		+VDC: 3/4/5/6 , -VDC: 1/2/3/6;	
Short Circuit		Protection type: recovers automatically after fault conditions is removed	
PROTECTION	Overload	Overload protection@145~160%above peak rating	
	Over Temperature	Protection typer:shut down o/p voltage.re-power on to recover	
	Working Temp	0~ +45°C (41°F to 113°F)	
ENVIRONMENT	Working Humidity	10~90%RH no-condensing	
	Storage Temp Humidity	-20~ +70°C (-4°F to 136°F)	
	Storage Humidity	8~90%RH	
	Safety Standards	CE / EN60950	
SAFETY& EMC	Withstand Voltage	I/P-O/P:3.0KVAC IP-GND:3.0KVAC	
	EMC EMI Compliant	EN55022, EN55024	
	RoHS Compliant	Yes	
	MTBF	50,000 hrs	



More Applications: VoIP Phone, IP camera, Wireless Access Point, any other PoE enabled devices



- VDC&Data 1 ←————→ 1. Data
- VDC&Data 2 ←————→ 2. Data
- +VDC&Data 3 ←————→ 3. Data
- +VDC&Data 4 ←————→ 4. Data
- +VDC&Data 5 ←————→ 5. Data
- +VDC&Data 6 ←————→ 6. Data
- VDC&Data 7 ←————→ 7. Data
- VDC&Data 8 ←————→ 8. Data

Order Part Number as Below.

Part Number.	Descriptions
PSE-G600	1-port 10/100/1000 Base-T to 1-port 10/100/1000 Base-T, PoE Gigabit PoE++ High Power Over Ethernet Injector .60W Compatible with IEEE 802.3bt /at / af, with auto-detection